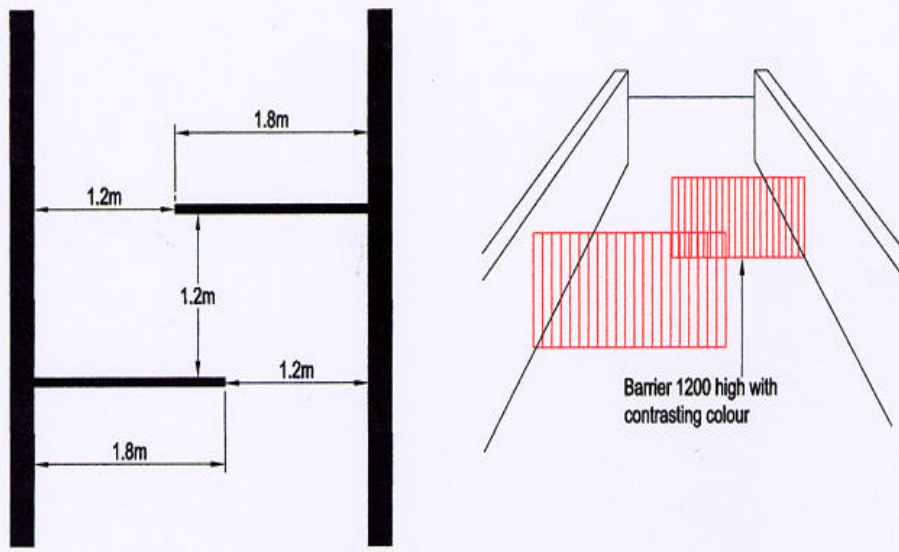


Entry to private drives



Staggered barrier layout for footpaths and footways



9, St Leonards Place, York, YO1 2ET
Telephone: 01904 613161

SCALE: NTS
DRAWN BY: DRowtree
DATE: Oct 2002
Project:
Drawing No.
Engineers:
Barriering Group

Appendix 19