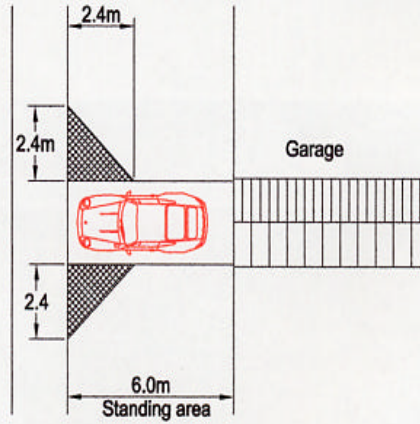
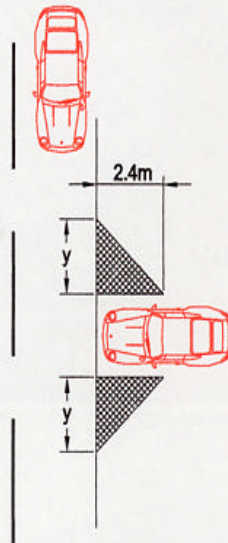



(I) Vehicle v. pedestrian - splays measuring 2.4m x 2.4m will be required.



(II) Vehicle v. vehicle - The 'y' dimension will relate to the minimum stopping distance for the anticipated speed of oncoming vehicles in accordance with para. 9.10.2



 The shaded triangular areas must be kept clear of all obstructions exceeding 0.6m in height.



9, St Leonards Place, York, YO1 2ET  
Telephone: 01904 613161

### Visibility at individual accesses

SCALE 1:200	DRAWN BY J Rowtree	DATE Oct 2002
Engineering Group	Project	Drawing No. appendix25